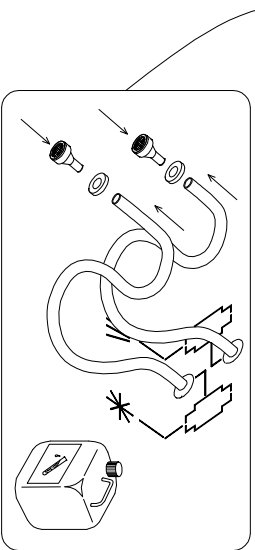
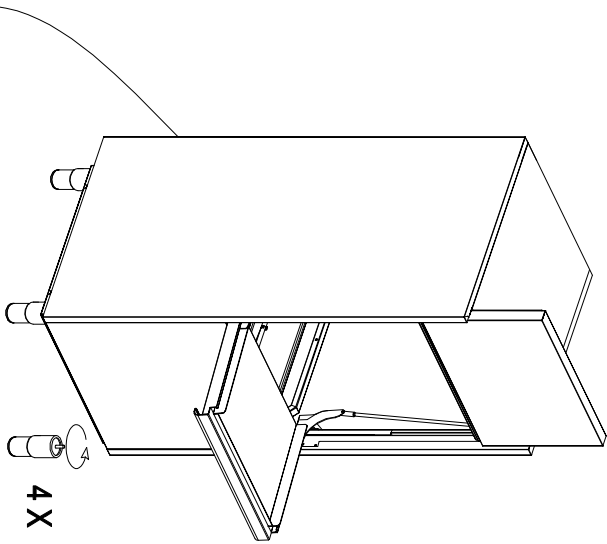


<b>A</b>		∅ 50mm M	<b>A</b>		∅ 35 mm M
<b>B</b>		G 3/4\" M	<b>B</b>		G 3/4\" F
<b>C</b>		Power supply	<b>E</b>		Steam exhaust



## Installation layout

Designed by: M.PIERI  
Date: 05.10.2018

## Utensil washer

Determination:

Code: LP4  
Rev.: 00

